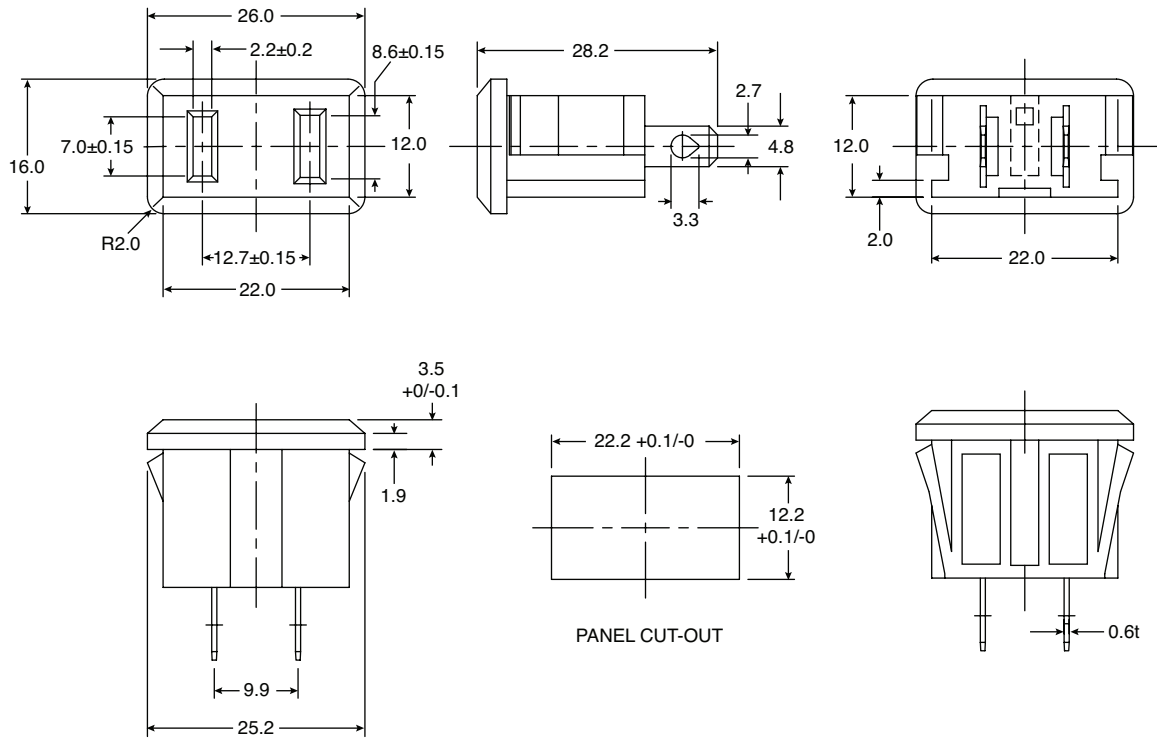


# NEMA Outlet

161-RU0298-E



NEMA Outlet



Dimensions: mm

SPECIFICATIONS	
<b>Electrical Rating:</b>	15 Amp. 125VAC
<b>Insulation Resistance:</b>	100MΩ at 500VDC
<b>Insulation Withstand Voltage:</b>	1500VAC RMS. for 1 Minute
<b>Insertion Force:</b>	5KG Max.
<b>Withdrawal Force:</b>	1.5KG Min.
<b>Life Test:</b>	5,000 Cycles Min.
RoHS Compliant	

Tolerance
X.XX±0.1
XX.XX±0.2
XXX.XX±0.3

Date Last Revised: 11-30-07

Available from Mouser Electronics  
1-800-346-6873 / [www.mouser.com](http://www.mouser.com)

KC- 301199

161-RU0298-E